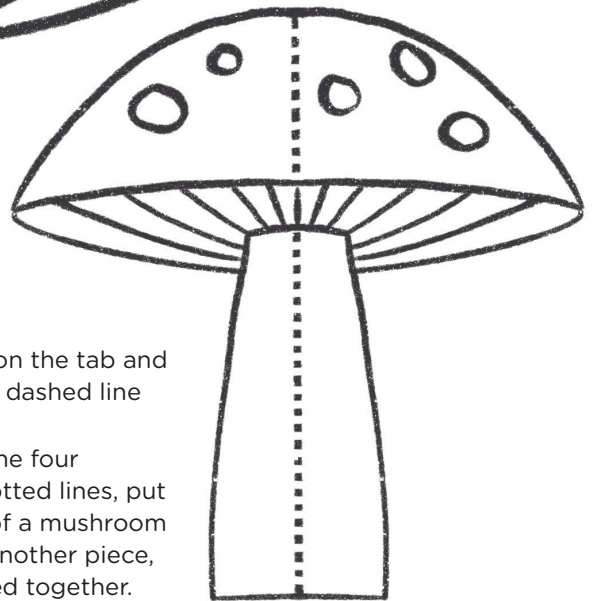
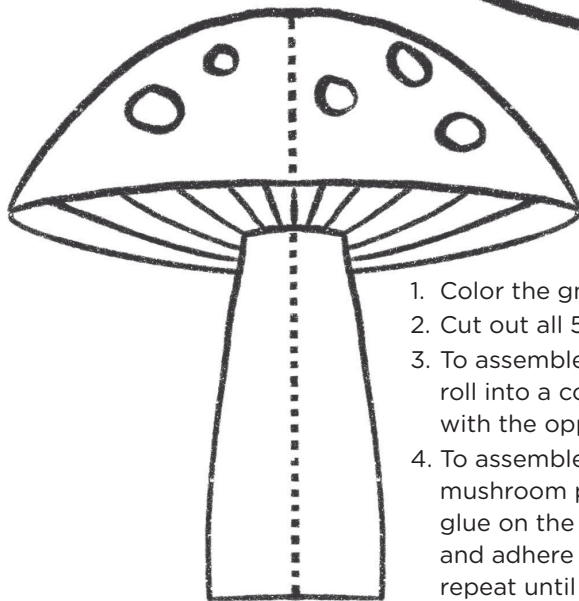
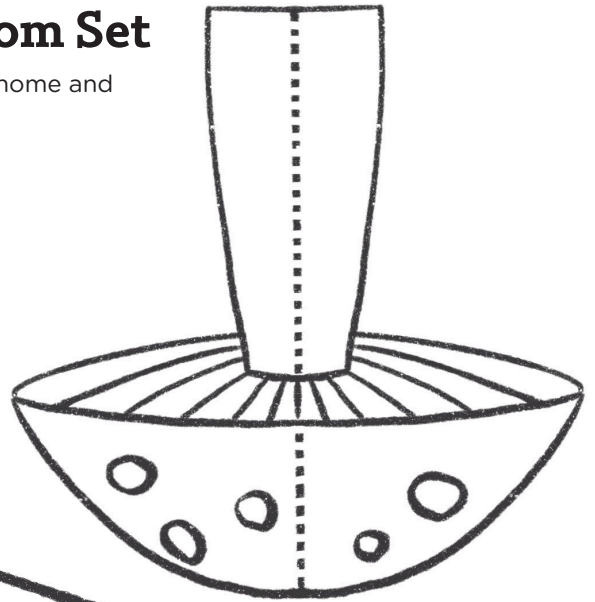
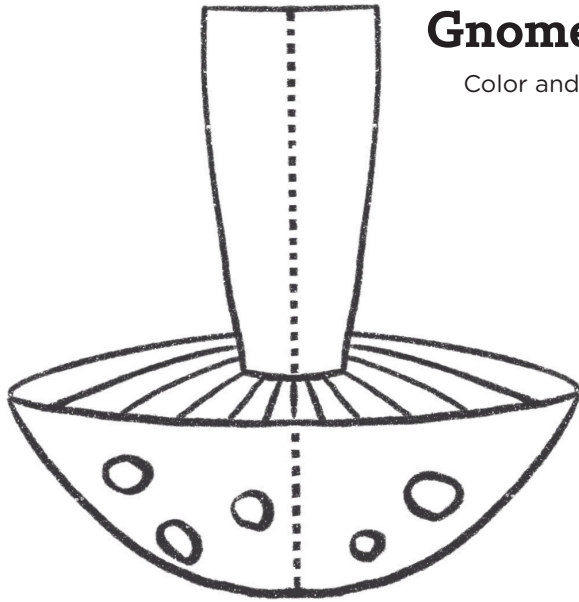


Gnome & Mushroom Set

Color and create your own 3D gnome and mushroom too!



1. Color the gnome and mushroom.
2. Cut out all 5 pieces.
3. To assemble the gnome: put glue on the tab and roll into a cone shape, aligning the dashed line with the opposite side edge.
4. To assemble the mushroom: fold the four mushroom pieces in half on the dotted lines, put glue on the back side of one half of a mushroom and adhere it to the back side of another piece, repeat until all four pieces are glued together.